



CORRIGENDUM / ADDENDUM TO

TENDER DOCUMENT No. SIDBI / TPBO / Office Premises / 2019 - 01 dated 17.04.2019

A. CORRIGENDUM

Modification in Tender Documents already hosted by SIDBI in respect of seeking invitation of offers for acquiring office premises on Leave and License basis at Tirupur, Tamil Nadu

The following clauses are modified / inserted in the original tender notice hosted on SIDBI portal / E-Procurement Portal.

MODIFICATION NO-1

Page No. 1: The content of the paragraph is modified and may be read as under:-

Sr. No.	As per tender Document hosted	Revised
Page No. 1 & all pages of tender document wherever applicable	<u>भरे हुए आवेदनपत्र प्राप्ति की अंतिम तिथि 08/05/2019 सायं 15.30 बजे है।</u> Last Date and time for receipt of filled in application : 08/05/2019, 15:30 hrs	<u>भरे हुए आवेदनपत्र प्राप्ति की अंतिम तिथि 17/05/2019 सायं 15.00 बजे है।</u> Last Date and time for receipt of filled in application : 17/05/2019, 15:00 hrs

THE ABOVE CHANGES ARE TREATED AS PART AND PARCEL OF ORIGINAL TENDER HOSTED ON SIDBI PORTAL DATED 17/04/2019.

MODIFICATION NO- 2

**The following condition no. 17 at Page N0. 37 is modified in Broad specifications of Interior works
- Office Premises**

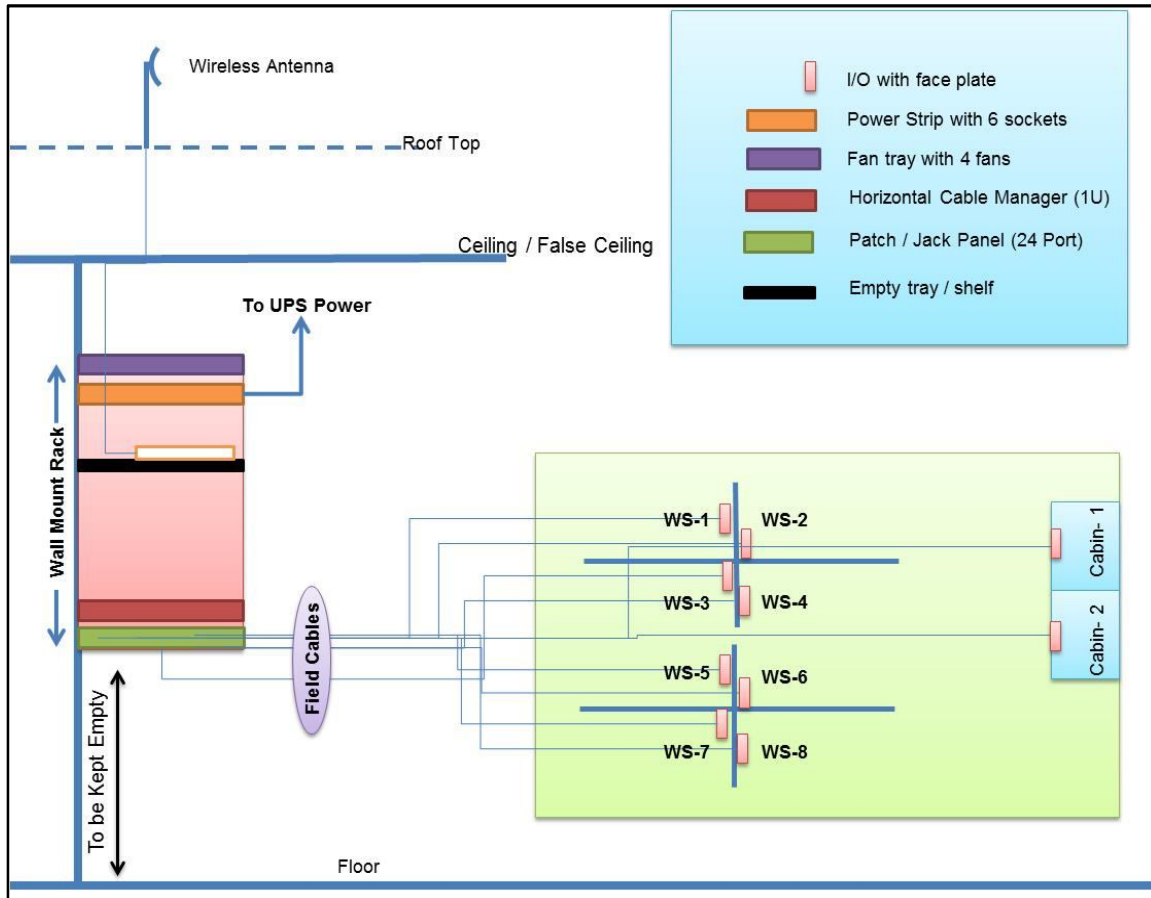
Sr. No.	As per tender Document hosted	Revised																																				
Page No. 37 (Sr. No. 17)	<p>LAN Cabling -From UPS / Switch room to all the workstations / seats LAN cabling</p> <p>with CAT - 6 approved make cable to be provided in PVC conduit alongwith suitable modular type outlet boxes and RJ-45 connectors</p>	<p>LAN Cabling – The LAN cabling to be provided should be structured with the following components installed:</p> <p><u>a). Network Rack (Metal)</u></p> <p><u>(i) Specifications / Requirements of Rack and Patch cords</u></p> <table border="1"><thead><tr><th>S.N.</th><th>Description</th><th>Qty.</th></tr></thead><tbody><tr><td>1</td><td>Type of Rack (Steel)</td><td>Wall Mount</td></tr><tr><td>2</td><td>Size of Rack</td><td>12U / 13U</td></tr><tr><td>3</td><td>Front Glass Door</td><td>One</td></tr><tr><td>4</td><td>Rear perforated Door</td><td>One</td></tr><tr><td>5</td><td>No of Fan Trays with four fans</td><td>One</td></tr><tr><td>6</td><td>Power Strip with 6 / 8 three pin Indian Sockets</td><td>One</td></tr><tr><td>7</td><td>Fixed Shelves / trays</td><td>One</td></tr><tr><td>8</td><td>CAT 6 Patch / Jack Panel of 24 ports and 1U size</td><td>One</td></tr><tr><td>9</td><td>Horizontal Cable Manager of size 1U</td><td>One</td></tr><tr><td>10</td><td>Factory Crimped 7 feet CAT 6 patch cord</td><td>20</td></tr><tr><td>11</td><td>Factory Crimped 3 feet CAT 6 patch cord</td><td>20</td></tr></tbody></table> <p>(ii). The rack would be installed at a location where there is air conditioning. In case of floor mounting rack, the space above the rack till the ceiling / false ceiling should be kept open for future requirements / expansions and in case of wall mount rack,</p>	S.N.	Description	Qty.	1	Type of Rack (Steel)	Wall Mount	2	Size of Rack	12U / 13U	3	Front Glass Door	One	4	Rear perforated Door	One	5	No of Fan Trays with four fans	One	6	Power Strip with 6 / 8 three pin Indian Sockets	One	7	Fixed Shelves / trays	One	8	CAT 6 Patch / Jack Panel of 24 ports and 1U size	One	9	Horizontal Cable Manager of size 1U	One	10	Factory Crimped 7 feet CAT 6 patch cord	20	11	Factory Crimped 3 feet CAT 6 patch cord	20
S.N.	Description	Qty.																																				
1	Type of Rack (Steel)	Wall Mount																																				
2	Size of Rack	12U / 13U																																				
3	Front Glass Door	One																																				
4	Rear perforated Door	One																																				
5	No of Fan Trays with four fans	One																																				
6	Power Strip with 6 / 8 three pin Indian Sockets	One																																				
7	Fixed Shelves / trays	One																																				
8	CAT 6 Patch / Jack Panel of 24 ports and 1U size	One																																				
9	Horizontal Cable Manager of size 1U	One																																				
10	Factory Crimped 7 feet CAT 6 patch cord	20																																				
11	Factory Crimped 3 feet CAT 6 patch cord	20																																				

THE ABOVE CHANGES ARE TREATED AS PART AND PARCEL OF ORIGINAL TENDER HOSTED ON SIDBI PORTAL DATED 17/04/2019.

		<p>the space below the rack should be kept open for future requirements / expansions.</p> <p><u>(b). Cabling</u></p> <p>(i). Surface mount Information Outlet (I/O) boxes with connectors affixed to the partition along with face plate one each at each workstation/ cubical/ cabin/ conference room and for printers.</p> <p>(ii). All field cables originating from workstation / cubical/cabin/conference room/printer should be terminated / crimped to the patch / jack panels. Numbering of cables at both ends and on patch/jack panel to be carried out.</p> <p>(iii). All field cables within the bank premises should be laid through PVC conduit along a duct.</p> <p>(iv). All ports on patch panel, I/O and cables should be properly tagged for easy identification. Complete LAN diagram to be provided.</p> <p>(v). All cables and passive components (I/O, patch/jack panel etc for LAN connectivity should be CAT 6 only.</p> <p>(vi). Total Number of Network Points - 15</p> <p>c). For illustration purpose structured cabling diagram is given in Appendix –ii.</p>
--	--	---

Network Cabling Diagram (for illustration purpose only)

1. The diagrams are for illustration purpose only.
2. The size of rack, number of - patch/jack panels, Horizontal cable manager, empty shelves/trays etc. are as per RfP specifications.
3. **Wall Mount Rack**



THE ABOVE CHANGES ARE TREATED AS PART AND PARCEL OF ORIGINAL TENDER HOSTED ON SIDBI PORTAL DATED 17/04/2019.